



Straight, no twists, no warps and no shrinkage
Coloured Red for easy identification
Strong and Light Laminated Veneer Lumber
Sizes 100 x 45 & 75
Lengths 3.0 - 12.0m
(please check availability on lengths longer than 9.0m)
Glue-line H2S treatment as per AS/NZS 1604.4

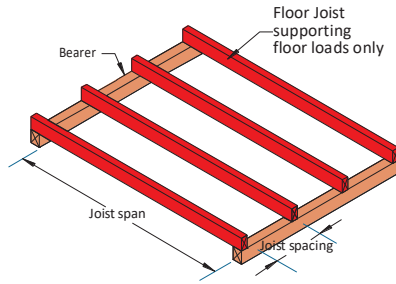
H2S Treated LVL Bearers and Joists

Red Alert

Termites see RED when they meet SmartGuard termite resistant LVL

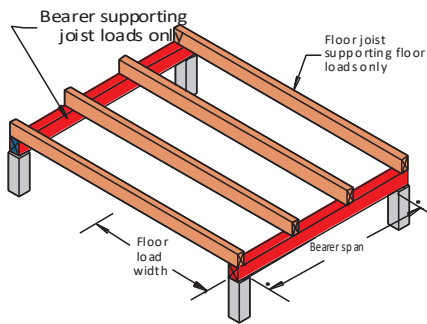


Red Alert floor joists supporting floor loads ONLY



Joist spacing (mm)	300	450	600	300	450	600
Member size (DxB) mm	Maximum recommended Single span (mm)			Maximum recommended Continuous span (mm)		
100 x 45	2200	1850	1700	2750	2150	2000

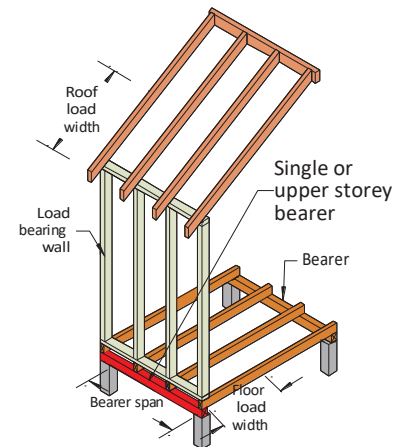
Red Alert floor bearers supporting joist loads Only



Floor Load width mm	1200	1800	2400	3600	4800	6000
Member size (DxB) mm	Maximum recommended Single span (mm)					
100 x 75	1950	1700	1550	1350	1200	1100
	Maximum recommended Continuous span (mm)					
100 x 75	2450	2150	1950	1650	1400	1250

Red Alert Floor bearers supporting single or upper load bearing walls Wind classification N1-N3

Floor Load width mm		900			1200			1500		
Roof Load width mm		1500	3000	5000	1500	3000	5000	1500	3000	5000
Member size (DxB) mm	Roof mass kg/m ²	Maximum recommended Single span (mm)								
100 x 75	40	1600	1450	1350	1500	1400	1300	1450	1350	1250
	90	1450	1250	1100	1400	1250	1100	1350	1200	1100
		Maximum recommended Continuous span (mm)								
100 x 75	40	2150	2000	1750	2050	1900	1750	2000	1850	1750
	90	1950	1700	1550	1900	1700	1500	1850	1650	1500



It is recommended that floor sheeting or boards be glued to Red Alert with either Fuller Max Bond Pro or Max Bond Fast Grip

www.tilling.com.au

1800 337 703

The information contained in this product brochure is current as at February 2017 and is based on data available to Tilling Timber Pty Ltd at the time of going to print. Tilling Timber Pty Ltd has used its reasonable endeavours to ensure the accuracy and reliability of the information contained in this document and, to the extent permitted by law, will not be liable for any inaccuracies, omissions or errors in this information nor for any actions taken in reliance on this information. Tilling Timber Pty Ltd reserves the right to change the information contained in this document without prior notice. It is important that you call the Tech Support customer Helpline on 1300 668 690 to confirm that you have the most up to date information available.