



Straight, no twists, no warps and no shrinkage
Coloured Red for easy identification
Strong and Light Laminated Veneer Lumber
Sizes 100 x 45, 63 & 75
Lengths 3.0 - 12.0m
 (please check availability on lengths longer than 9.0m)
Arised Edges for increased safety
Glue-line H2S treatment as per AS/NZS 1604.4

H2S Treated LVL Bearers and Joists

Red Alert

Termites see RED when they meet SmartGuard termite resistant LVL

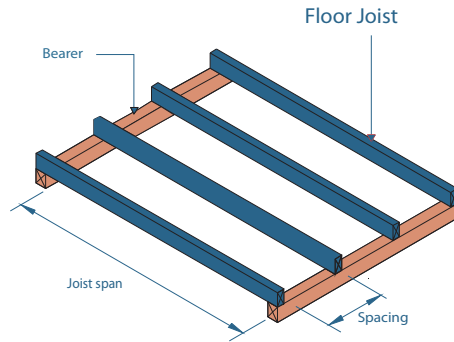


Available from

Tilling www.tilling.com.au 1800 33 77 03



Red Alert Floor Joist Supporting Floor Loads Only



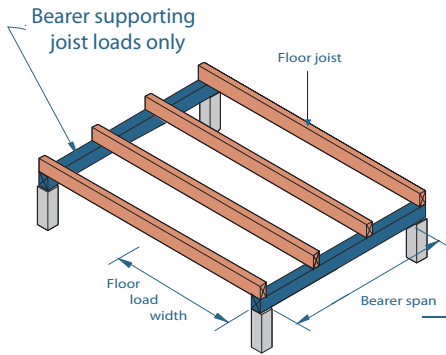
Example:

Domestic floor loads
Single span
Joist spacing = 450 mm
Joist span = 1700 mm

Enter Single Span table at 450 mm in joist spacing column, read down to a span equal to or greater than 1700 mm

SmartFrame Red Alert 100 x 45

Member Size (DxB) mm	300		450		600		300		450		600	
	Span	O/H	Span	O/H	Span	O/H	Span	O/H	Span	O/H	Span	O/H
100 x 45	Maximum Single span (mm)						Maximum Continuous span (mm)					
100 x 45	2100	800	1800	500	1700	600	2700	800	2100	700	1900	600



Red Alert Floor Bearers Supporting Joist Loads Only

Member Size (DxB) mm	1200		1800		2400		3600		4800		6000	
	Span	O/H	Span	O/H	Span	O/H	Span	O/H	Span	O/H	Span	O/H
	Maximum Allowable SINGLE span mm											
100 x 63	1800	500	1600	400	1500	450	1200	300	1100	300	1000	300
100 x 75 *	2000	600	1700	500	1500	400	1300	300	1200	300	1100	300
	Maximum Allowable CONTINUOUS span mm											
100 x 63	2300	550	2000	500	1800	4500	1600	400	1400	3500	1200	350
100 x 75 *	2400	600	2100	500	1900	500	1700	400	1500	400	1300	350

Example:

Domestic floor loads
Single span = 1600
Floor load width = 1750 mm

Enter Single Span table at 1800 mm in floor load width column, read down to a span equal to or greater than 1600 mm

SmartFrame Red Alert 100 x 63

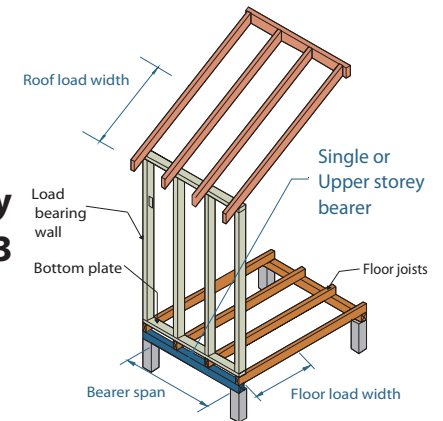
Red Alert Floor Bearers Supporting Roof via Single or Upper Storey Load Bearing Walls - Wind Classification: N1 - N3

Member Size (DxB) mm	Roof Mass kg/m ²	900				1200				1500									
		1500		3000		5000		1500		3000		5000							
		Span	O/H	Span	O/H	Span	O/H	Span	O/H	Span	O/H	Span	O/H						
Maximum Allowable SINGLE span mm																			
100 x 63	40	1500	400	1400	400	1300	300	1500	400	1400	400	1200	300	1400	400	1300	300	1200	300
	90	1400	400	1200	300	1000	300	1300	300	1200	300	1000	300	1300	300	1100	300	1000	300
100 x 75 *	40	1600	400	1500	400	1300	300	1500	400	1400	400	1300	300	1500	400	1400	400	1300	300
	90	1400	400	1200	300	1100	300	1400	400	1200	300	1100	300	1300	300	1200	300	1100	300
Maximum Allowable CONTINUOUS span mm																			
100 x 63	40	2100	600	1900	500	1700	500	2000	600	1900	500	1700	500	1900	500	1800	500	1600	400
	90	1900	500	1600	400	1400	400	1800	500	1600	400	1400	400	1800	500	1600	400	1400	400
100 x 75 *	40	2200	650	2000	600	1800	500	2100	600	1900	500	1800	500	2000	600	1900	500	1700	500
	90	2000	600	1700	500	1500	400	1900	500	1700	500	1500	400	1800	500	1600	400	1500	400

* Available in NSW ONLY

It is recommended that floor sheets be glued to Red Alert with either Fuller Max Bond Pro or Max Bond Fast Grip

Technical Support 1300 668 690



Example:

Sheet roof - 40 kg/m²
Roof load width = 1450 mm
Bearer span = 1500 mm
Floor load width = 1500 mm

Enter Single Span table at 1500 mm in floor load width column, 1500 roof load width column, read down to a span equal to or greater than 1500 mm in the 40 kg/m² row.

SmartFrame Red Alert 100 x 75