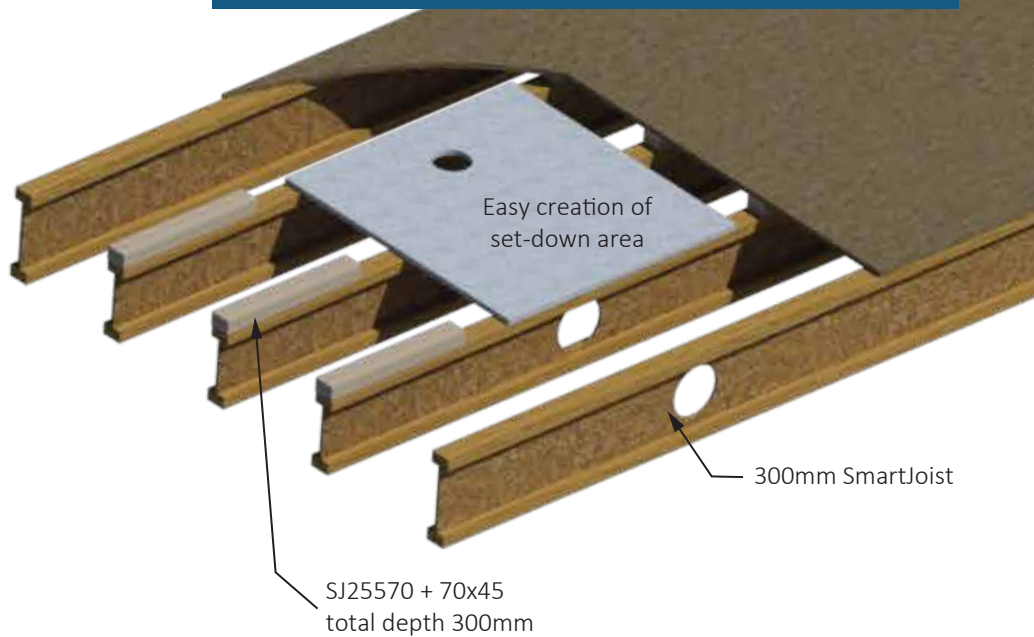
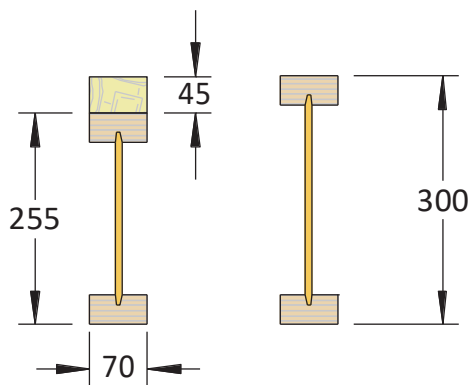




Introducing an efficient structural solution for fully tiled shower bases in bathroom applications

SmartJoist SJ25570



Give your customer the benefits of a fully tiled shower base or set-down wet area, without the cost or complexity

- Specially designed to be a set-down companion joist to 300mm deep SmartJoist in detached, multi-residential and light commercial buildings
- Low material cost and ease of construction
- Reduces risk and enhances performance
- More cost effective than open webbed floor trusses offering a similar floor performance
- Supplied with pre-cut web penetrations on request, allowing easy, risk-free access for plumbing from the floor waste
- Supplied precision docked in exact length, closest 100mm or 300mm above in lengths up to 12,000mm

Ask for shower setdowns in your next SmartJoist Floor System design

www.tiling.com.au

1300 668 690

Example span tables

40 kg/m² - lightweight floor

Joist spacing (mm)		300	450	600
SpanPlus code	Self weight (kg/m)	Maximum recommended floor joist span (mm)		
		Single span		
SJ25570	4.4	6100	5200	4900

70 kg/m² - acoustic performance all wood floor

Joist spacing (mm)		300	450	600
SpanPlus code	Self weight (kg/m)	Maximum recommended floor joist span (mm)		
		Single span		
SJ25570	4.4	5700	5200	4800

135 kg/m² - 40mm concrete and tiled floor (for a fully set-down wet area)

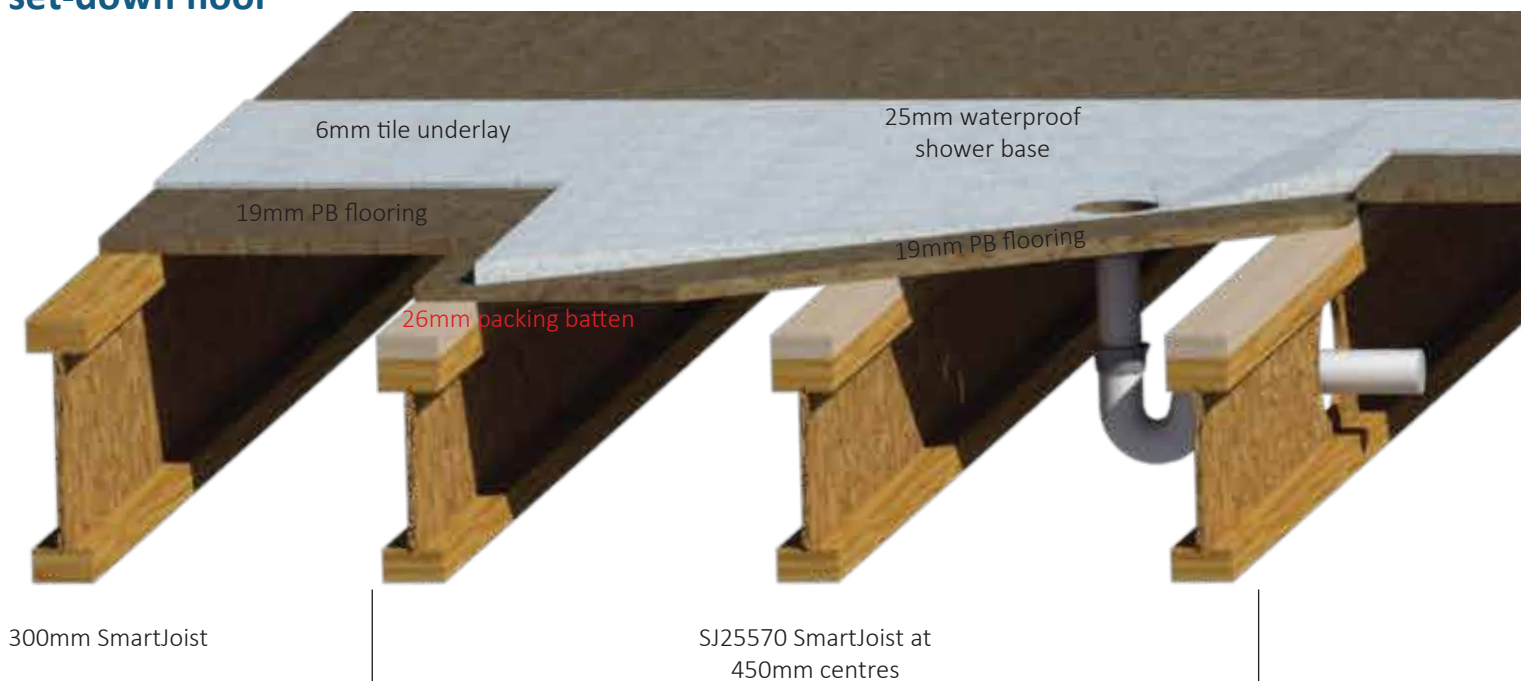
Joist spacing (mm)		300	450	600
SpanPlus code	Self weight (kg/m)	Maximum recommended floor joist span (mm)		
		Single span		
SJ25570	4.4	5100	4600	4300

SMARTFRAME[®]
POWERED BY INNOVATION

Serviceability criteria: AS 1720.3 - 2016

- Max dead load deflection - lesser of span / 300 or 15mm ($j_2 = 2$)
- Max live load deflection - lesser of span / 360 or 9mm
- Minimum floor Natural Frequency - 8 Hertz
- Maximum differential deflection between joists of 2mm under a concentrated load of 1.0 kN mid-span to simulate the foot force effect on the design of floor joists.

Example wet area set-down floor



Tilling Timber Pty Ltd

Victoria

31-45 Orchard Street,
Kilsyth VIC 3137

email: sales@tilling.com.au

Phone +61 3 9725 0222

Fax +61 3 9725 3045

New South Wales

109 Kurrajong Ave,
MtDruitt NSW 2770

email: nswsales@tilling.com.au

Phone +61 2 9677 2600

Fax +61 2 9677 2500

Queensland

84 Magnesium Drive,
Crestmead QLD 4132

email: qldsales@tilling.com.au

Phone +61 7 3440 5400

Fax +61 7 3440 5444

Western Australia

10 Cartwright Drive,
Forrestdale WA 6112

email: wa_sales@tilling.com.au

Phone +61 8 9399 1609

Fax +61 8 9399 1065

South Australia

5-9 Woomera Ave,
Edinburgh SA 5111

email: sasales@tilling.com.au

Phone +61 8 8345 1966

Fax +61 8 8345 1977