

TECBEAM FLOOR/ROOF DETAILS



TecBeam Section Details

[T1A](#) [T1B](#) [T1C](#) [T1D](#)
 T25 & T26 T30 T36 T40

Tapered End Details

[T2A](#) [T2B](#) [T2C](#) [T2D](#) [T2E](#) [T2F](#) [T2G](#) [T2H](#) [T2I](#) [T2J](#) [T2K](#) [T2L](#)
 T25 & T26 T30 T36 T40

Strongback Fixing Details

[T3A](#) [T3B](#)
 Timber Steel

Load Bearing Strongback Details

[T3C](#) [T3D](#)
 Non-Cantilevered Strongback Cantilevered Strongback

Cantilevered TecBeam Details

[T4A](#) [T4B](#) [T4C](#)
 Cantilevered TecBeam With Extension LVL/Pine Joist Reinforced

Flat Roof Framing & Box-Gutter

[T5A](#) [T5B](#)
 Flat Roof Framing Box-Gutter

End Blocking Details

[T6A](#) [T6B](#) [T6C](#) [T6D](#)
 Solid SmartJoist Solid Rimjoist SmartRim

Blockwall Support Details

[T7A](#) [T7B](#) [T7C](#)
 Hanger EA Full Bear

TecBeam To Timber Beam Details

[T8A](#) [T8B](#) [T8C](#) [T8D](#) [T8E](#) [T8F](#)
 FM Inverted With Web With LVSIA LVSIA
 FM Stiffener Strap 300

TB To UB/UC Steel With Bracket

[T9A](#) [T9B](#) [T9C](#) [T9D](#) [T9E](#) [T9F](#)
 FM FM FM TM FM TM
 UB UB UC TM Strap

TB To PFC Steel With Bracket

[T9G](#) [T9H](#) [T9I](#)
 FM TM FM
 Front Back

TecBeam Check Into Steel Details

[T10A](#)

Timber Beam To TecBeam Details

[T11A](#) [T11B](#)
 Single Double
 TecBeam TecBeams

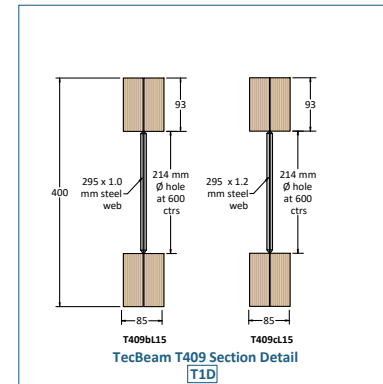
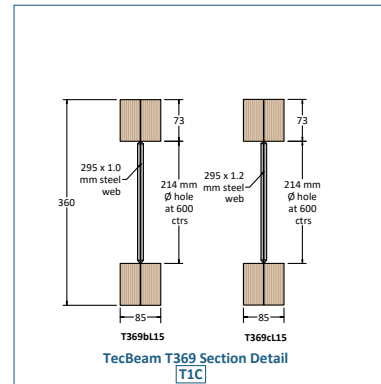
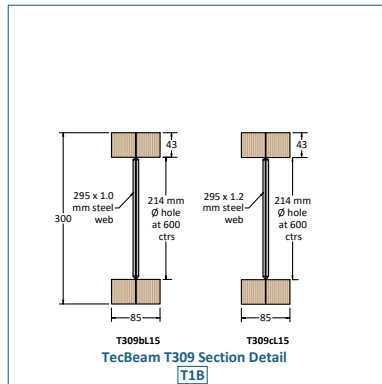
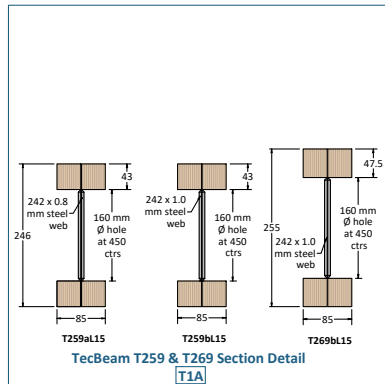
Web-Stiffener Details

[T12A](#) [T12B](#)
 Over Under PL
 Support or Wall

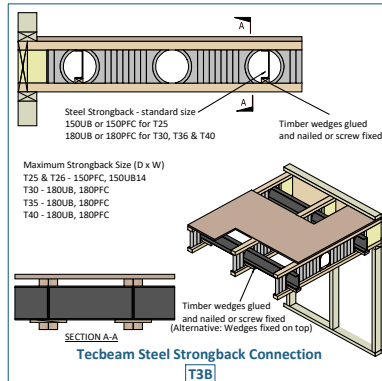
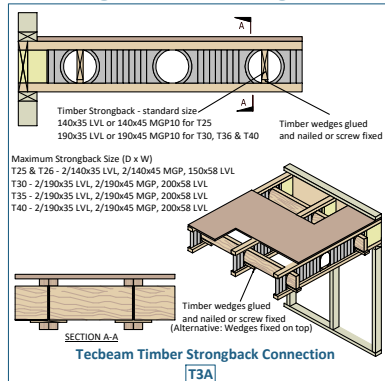
Multiple TecBeams Laminataion Details

[T13A](#) [T13B](#) [T13C](#) [T13D](#)
 UDL PL Int. Wall Ext. Wall

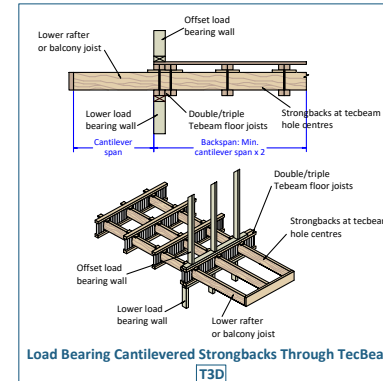
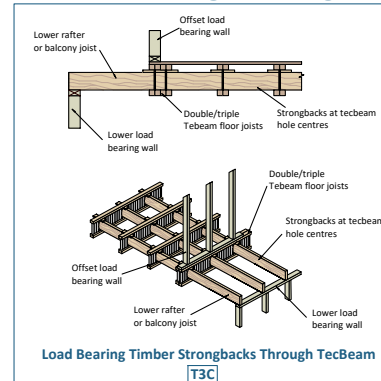
TecBeam Section Details



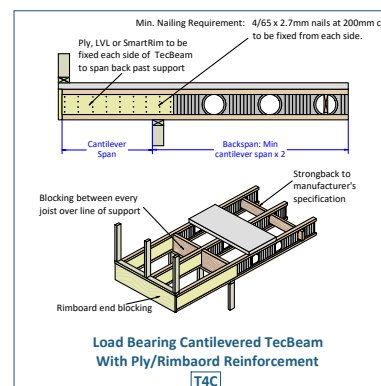
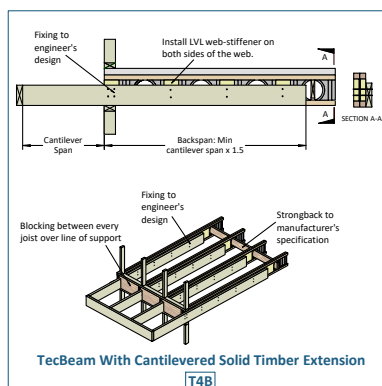
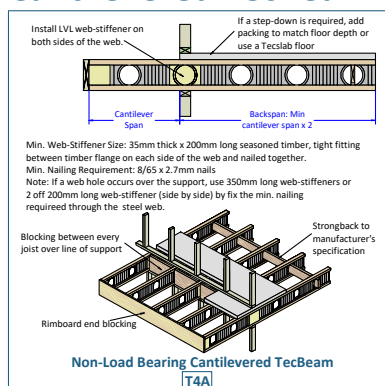
Strongback Fixing Details



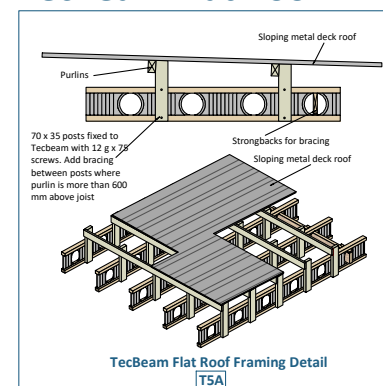
Load Bearing Strongback



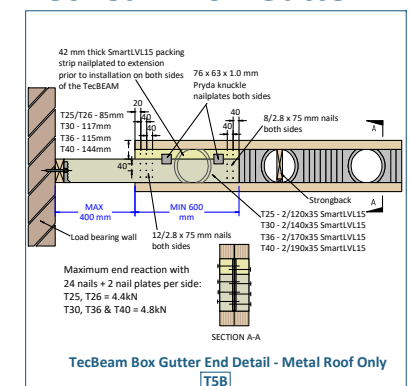
Cantilevered TecBeam



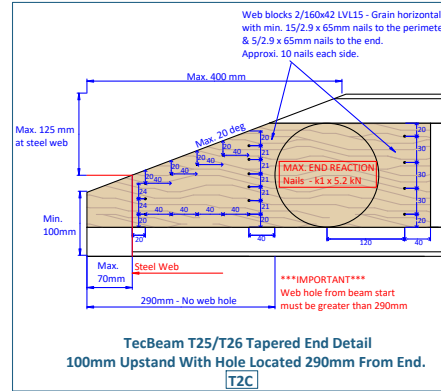
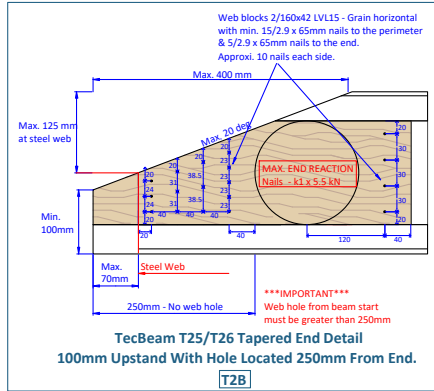
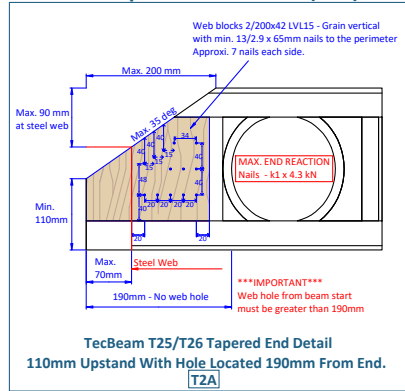
TecBeam Flat Roof



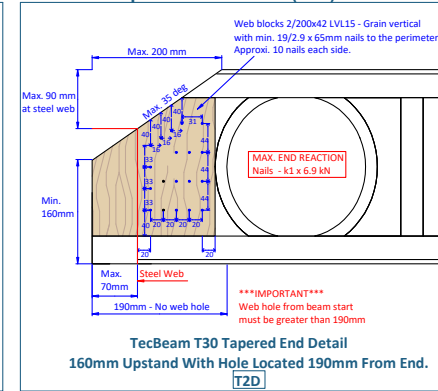
TecBeam Box-Gutter



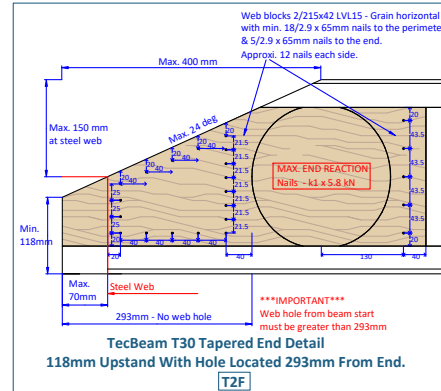
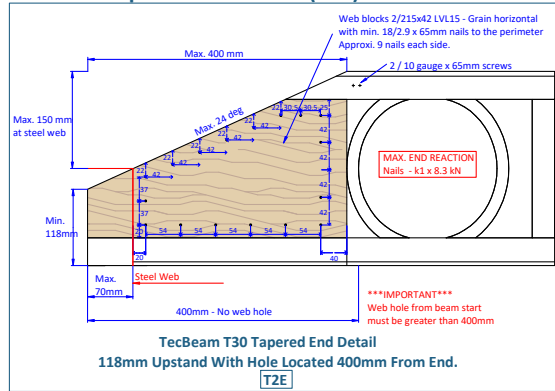
TecBeam Tapered End Details (T25)



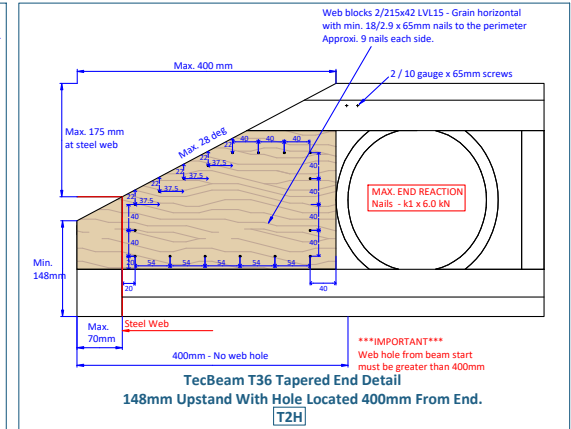
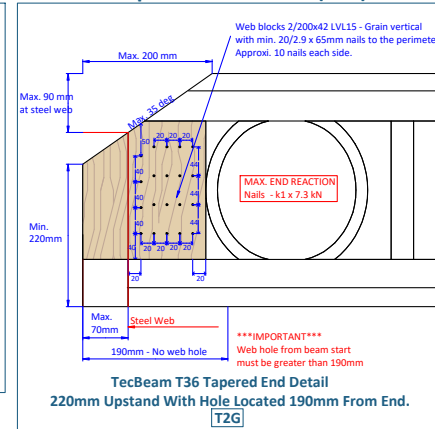
TecBeam Tapered End Details (T30)



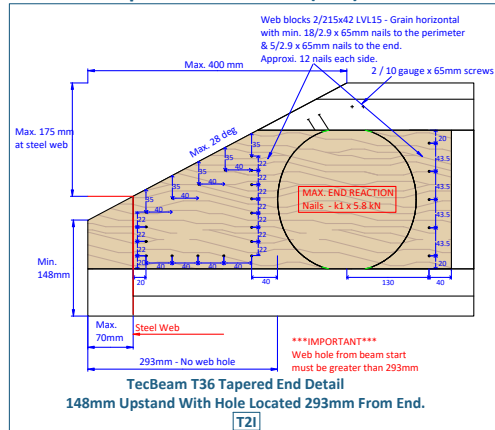
TecBeam Tapered End Details (T30)



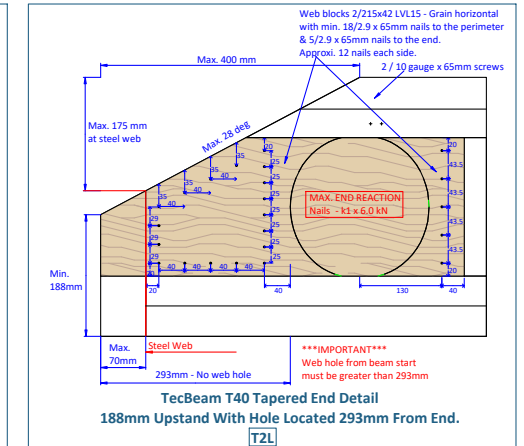
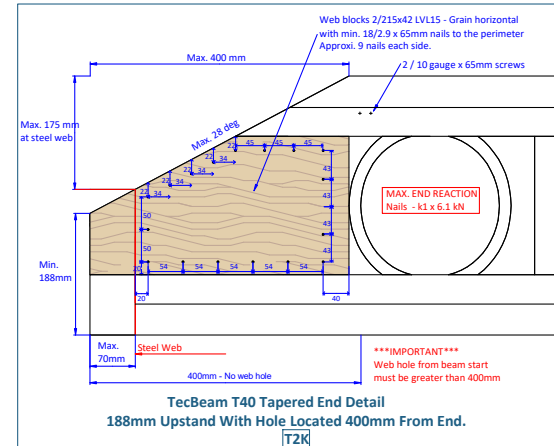
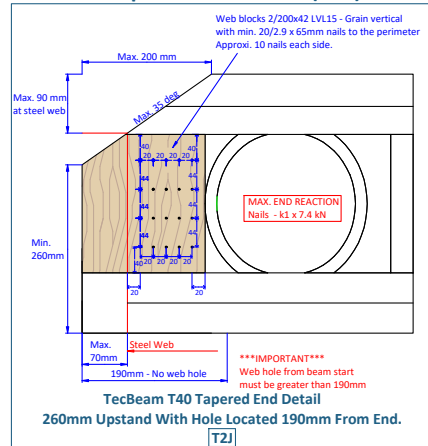
TecBeam Tapered End Details (T36)



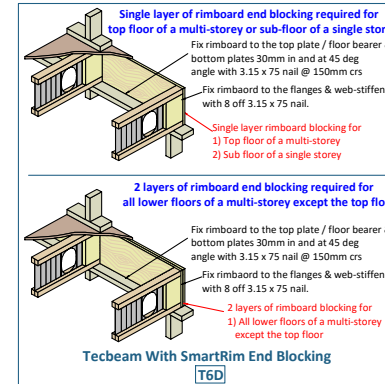
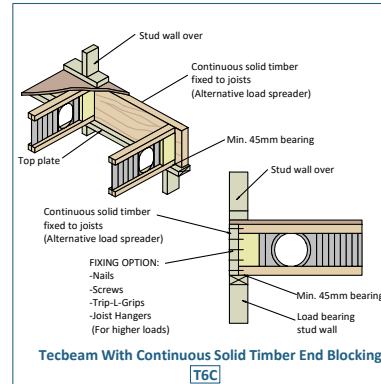
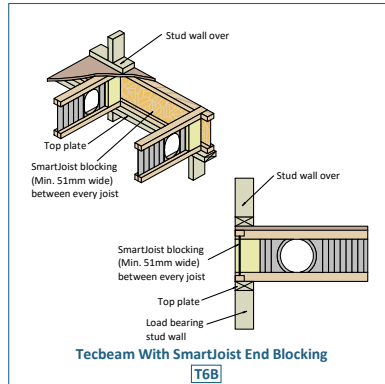
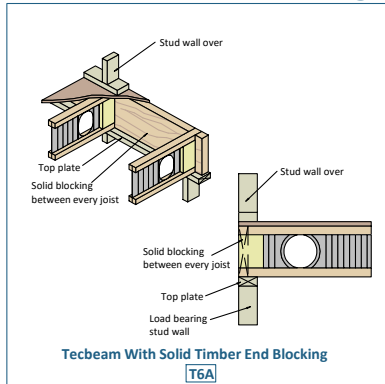
TecBeam Tapered End Details (T36)



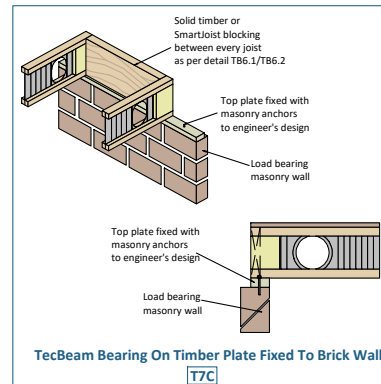
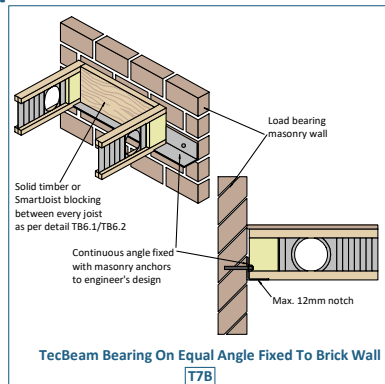
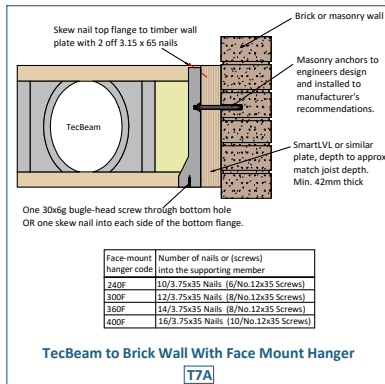
TecBeam Tapered End Details (T40)



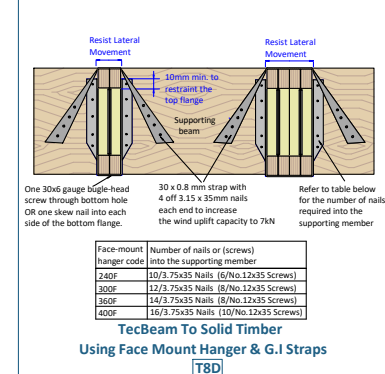
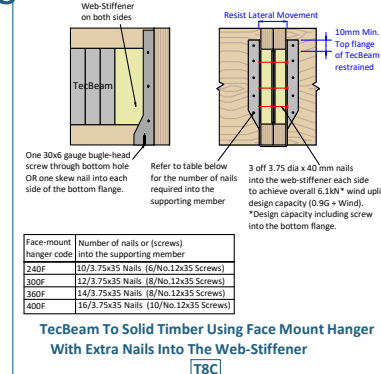
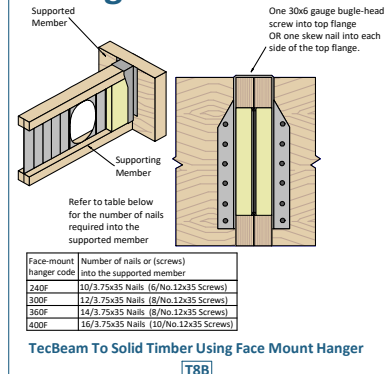
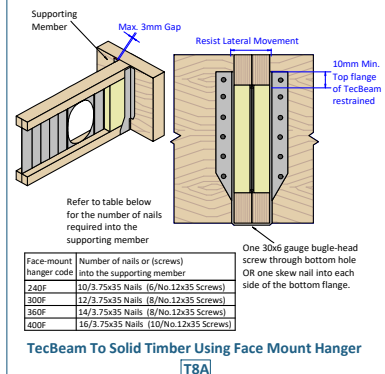
TecBeam End Blocking Details



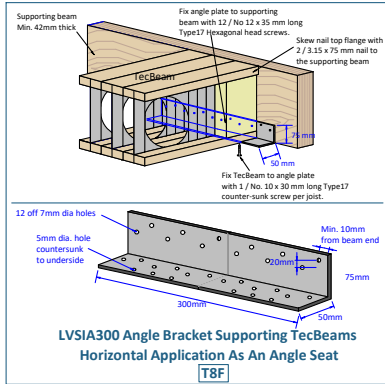
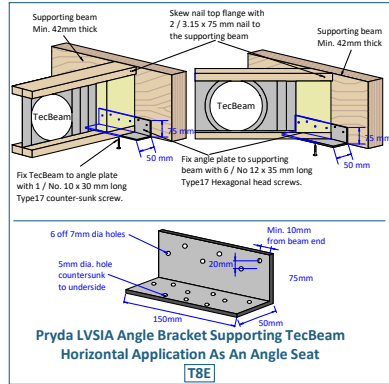
TecBeam Block Wall Support Details



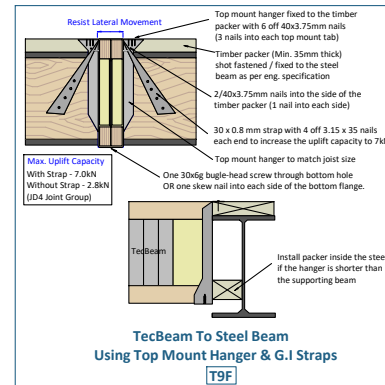
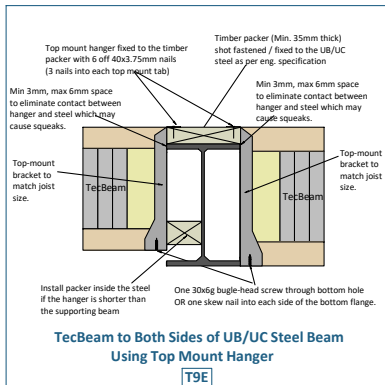
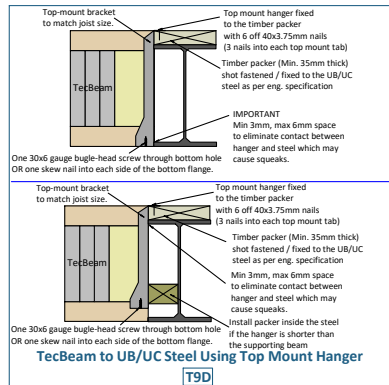
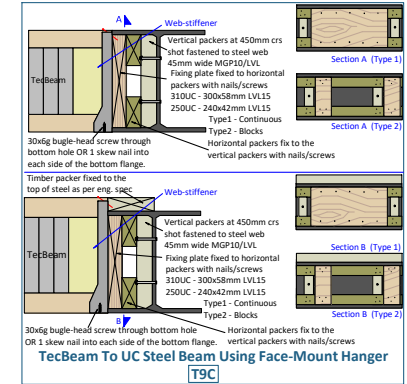
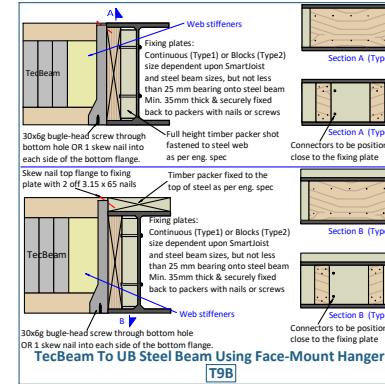
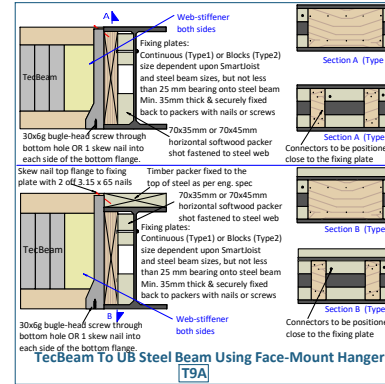
TecBeam To Timber Beam Using Face-Mount Hanger



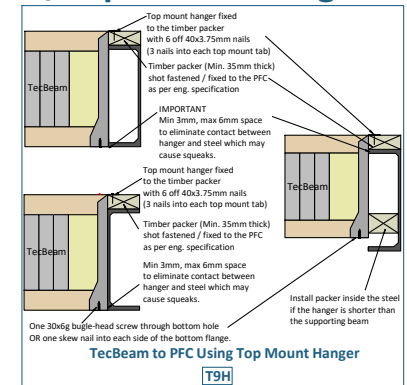
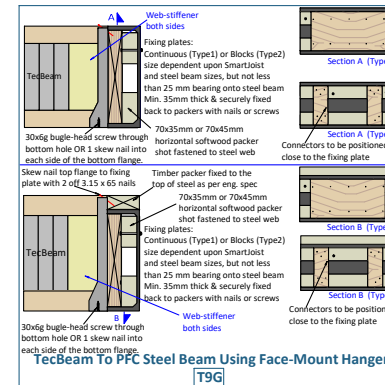
TecBeam To Timber Beam With LV5IA/LV5IA300



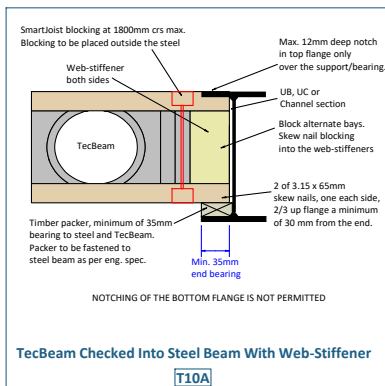
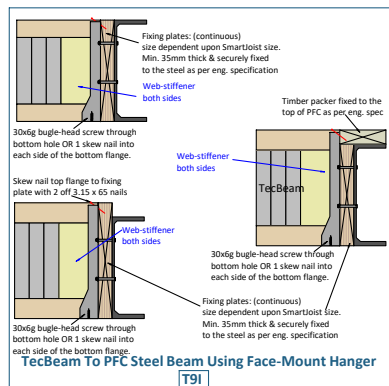
TecBeam to UB/UC Steel Face/Top Mount Hanger



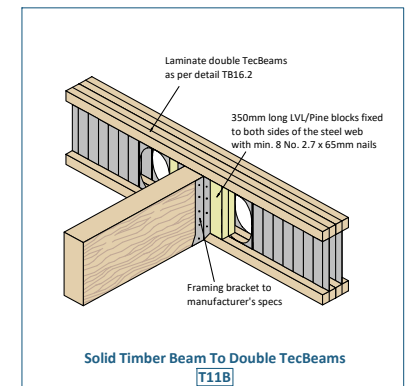
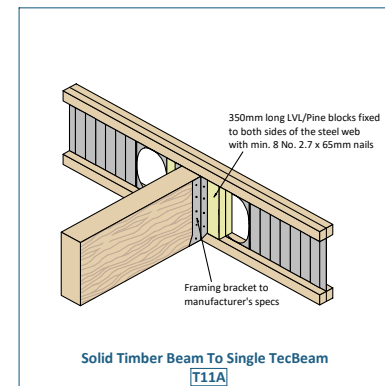
TecBeam to PFC Steel Face/Top Mount Hanger



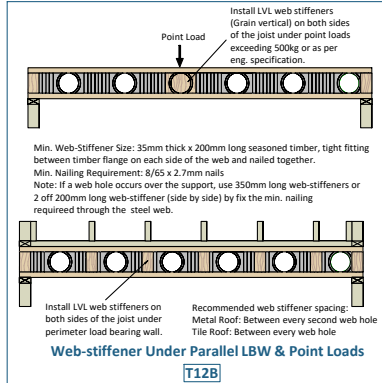
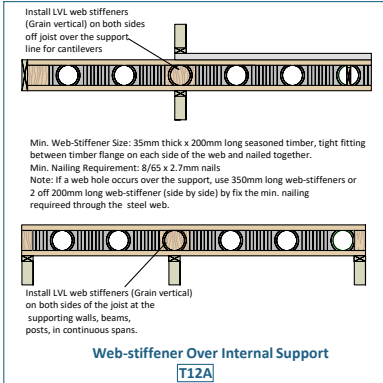
TecBeam Into Steel



Solid Timber Beam To TecBeam



Web Stiffeners (Over Support & Under PL/LBW)



Multiple TecBeams Lamination

