



ABELWOOD

TASMANIAN OAK



Contents

- About Abelwood Tasmanian Oak .3
- Abelwood Tasmanian Oak - Prime Grade .4
- Abelwood Tasmanian Oak - Classic Grade .5
- Specifications for 19mm Abelwood Tasmanian Oak Dressed All Round (DAR) Hardwood Specifications .6
- Specifications for Hardwood Flooring -19mm Tongue & Groove End Matched and 12mm Tongue & Groove Overlay .7
- Installation of 12mm overlay flooring .8
- Installation of 19mm End Matched Flooring on joists .10

Abelwood Tasmanian Oak Hardwood

Abelwood Tasmanian Oak is prized for its beauty, strength, stability and workability. It is recognised for its excellent staining qualities, which allow ready matching with other timbers, finishes or furnishings. It is used extensively in general joinery and specialised cabinetry and furniture applications.

More architects, builders and designers choose Abelwood Tasmanian Oak hardwood because of its consistent grain and natural blonde tones, varying from straw to reddish brown with intermediate shades of cream to pink. It perfectly complements the modern Australian design aesthetic and is trusted to perform year in, year out.

The timeless natural beauty of Tasmanian Oak floors provides a liveability and character which brings both old and new homes to life. Timber floors are easy to clean, allergy friendly and keep rooms warm in winter and cool in summer.

Our Select Tasmanian Oak dressed boards provide a versatile, robust and workable building board in multiple sizes for many building applications.

Every piece of Abelwood Tasmanian Oak is sourced from only sustainably managed and PEFC certified Tasmanian regrowth forests, giving you a beautiful natural product whilst protecting this unique Tasmanian resource for generations to come.



19mm Dressed All Round (DAR) Hardwood



All Tilling Group branches can supply timber with 100% PEFC Chain of Custody.

Abelwood Tasmanian Oak Hardwood Flooring

Prime Grade

Abelwood Prime hardwood flooring features a clear and consistent grain, with minimal occurrences of natural features. Prime provides a uniform look and is finished to highlight variable grain patterns which enhance the overall look of the timber when laid.

Prime Grade has a relatively even grain and figure that provides a rich but generally uniform texture and surface.

Natural stain or discolouration	May be present.
Other discolouration	Not present, except if product is to be painted.
Black speck	Small amount may be present.
Quartersawn tight gum vein	Individual tight gum veins may be up to 3mm wide and 450mm in length. Aggregate length of all tight gum veins present is less than half of the board length.
Backsawn tight gum vein	Backsawn gum vein may be present, but will be a maximum of 2mm deep, 1m long and 30mm wide across the largest dimension.
Loose gum vein	There may be loose gum veins present up to 3mm wide. They will not intersect a board end or extend from surface to surface, and the aggregate length of all loose gum veins present will be less than 1/5 of the board length.
Gum & latex pockets, overgrowth of injury	Not present.
Holes	Small holes up to 2mm in diameter may be present. The maximum number of holes varies with the board width. For boards between 50 and 100mm wide, 5 holes are allowed in any 100mm with a total of 10 holes allowed in any 900mm length. For boards wider than 100mm, 8 holes are allowed in any 100mm length with a total of 16 holes allowed in any 900mm length.
Tight knots	Tight knots may be present, but they must be smaller in aggregate than 25mm measured across their largest dimension, or 1/4 of the surface width for any 1m of board length.
Checks appearing on the surface	Small checks may be present, but they will each be less than 1.5mm wide and 250mm long.

Abelwood Tasmanian Oak Hardwood Flooring

Classic Grade

Abelwood Classic hardwood flooring features natural characteristics such as gum veins, small gum pockets, knots and streaks throughout the timber. Classic occurs in lower quantities naturally and therefore is much more sought after. The timber is finished to highlight its natural features and creates a floor that is truly distinctive and one of a kind.

Classic Grade has a relatively even grain and figure that provides a rich but generally uniform texture and surface.

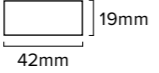

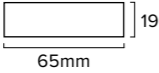

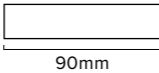

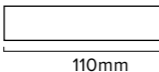

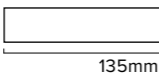

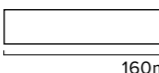

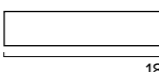

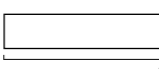

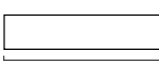

Natural stain or discolouration	Unlimited
Other discolouration	Not present, except if product is to be painted.
Black speck	Unlimited
Quartersawn tight gum vein	Unlimited
Backsawn tight gum vein	Extent across the face unlimited, depth not exceeding 2mm.
Loose gum vein	There may be loose gum veins present up to 3mm wide. They will not intersect a board end or extend from surface to surface, and the aggregate length of all loose gum veins present will be less than 1/4 of the board length.
Gum & latex pockets, overgrowth of injury	Not from one surface to another. Surface width measured across the feature, not exceeding 15mm. Length not exceeding 75 mm. Backsawn depth not exceeding 2mm. Overgrowth of injury not permitted.
Holes	Small holes up to 2mm in diameter may be present. The maximum number of holes varies with the board width. For boards between 50 and 100mm wide, 5 holes are allowed in any 100mm with a total of 10 holes allowed in any 900mm length. For boards wider than 100mm, 8 holes are allowed in any 100mm length with a total of 16 holes allowed in any 900mm length.
Tight knots	Not exceeding 50mm or 1/3 of the surface on which it occurs.
Checks appearing on the surface	Small checks may be present, but they will each be less than 1.5mm wide and 250mm long.

19mm Tasmanian Oak

Dressed All Round (DAR) Hardwood

Select Grade

Abelwood Tasmanian Oak DAR is available in the following 19mm profiles:

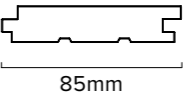

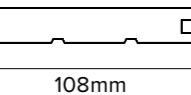

Product code	Size	Profile	3D render
B4219T	42 x 19mm	 19mm	
B6519T	65 x 19mm	 19mm	
B9019T	90 x 19mm	 19mm	
B11019T	110 x 19mm	 19mm	
B13519T	135x19mm	 19mm	
B16019T	160x19mm	 19mm	
B18519T	185x19mm	 19mm	
B21019T	210x19mm	 19mm	
B23519T	235 x 19mm	 19mm	

Tasmanian Oak Tongue & Groove

19mm End Matched Hardwood Flooring

Prime and Classic

Abelwood Tasmanian Oak End Matched Hardwood Flooring is available in the following 19mm profiles:

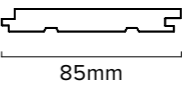

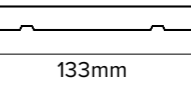

Product code	Size	Profile	3D render
F8519PTE F8519CTE	85 x 19mm	 19mm	
F10819PTE F10819CTE	108 x 19mm	 19mm	

Tasmanian Oak Tongue & Groove

12mm Overlay Hardwood Flooring

Prime and Classic

Abelwood Tasmanian Oak Overlay Hardwood Flooring Precision Docked Plain End is available in the following 12mm profiles:

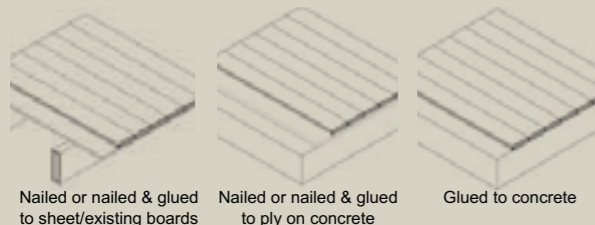
Product code	Size	Profile	3D render
F8512PT F8512CT	85 x 12mm	 12mm	
F13312PT F13312CT	133 x 12mm	 12mm	

Installation of 12mm overlay flooring

Solid timber strip flooring is the ideal selection to produce a beautiful and long lasting floor for all types of projects. Suitable structural substrates include concrete slabs, plywood and particleboard sheet floors and existing timber strip floors.

MOISTURE CONTENT AND BOARD SELECTION

- **Use quality boards of the correct thickness.** Product requirements & grade descriptions for strip flooring are included in AS 2796. 12 - 14 mm thick boards need to be continuously supported on a structural substrate, such as concrete slabs, plywood & particle board sheet floors or existing timber floors. If boards are fixed directly to joists, they need to be at least 19 mm thick to span 450 mm.
- **Timber is a natural product.** Its size varies with changes in moisture. As timber absorbs moisture to remain in equilibrium with its surrounding atmosphere, it expands. As it loses moisture, it shrinks. Flooring will always move slightly between boards as the ambient conditions of the surrounding environment change. So, to produce a successful timber floor, the timber needs to be installed at the correct moisture content, changes in the ambient conditions controlled & any movement accommodated.
- **Large windows, heaters and other heat sources will influence the floor.** Any heat source will change the ambient conditions & can cause localised movement of timber. This needs to be recognised & accommodated. Lay boards to minimise the impact of gaps from the major direction of view or acclimatise the timber to the expected conditions.
- **Board width for nail only applications: Only secret nail boards up to 85 mm cover width.** Secret nailed flooring is fixed through the tongue of specially profiled boards. As they are only secured with one fastener per fixing, their width in nail only applications is limited to 85 mm cover.

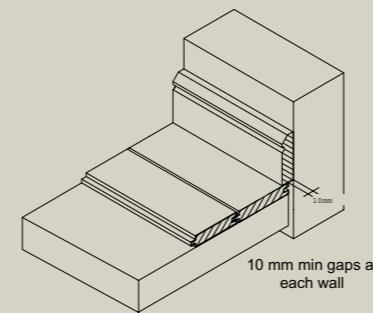


STORAGE AND PREPARATION

- **Protect the timber from moisture during all stages of construction.** Avoid exposing the timber to rain, dew or direct sunlight. Keep it away from the ground or newly laid concrete. Repair damage to pack covers immediately. The flooring should be stored inside where it is to be laid, or in a similar environment.
- **Only install the floor in a fully weatherproofed building.** The roof cladding should be on, the windows & external doors installed, the exterior cladding finished and wet trades complete.
- **Provide under floor ventilation to the requirements of the Building Code of Australia.** The ground under wood substrates should be dry and sub-floor well ventilated. Where conditions are damp & the potential for additional sub-soil drainage limited, install a continuous impervious plastic membrane over the ground. Tape the joints.
- **Concrete slabs and other substrates must be dry.** Before installing flooring over concrete, supporting slabs should be dry, with a moisture content no more than 5.5%. Seal the slab with a waterproofing compound or a plastic membrane under plywood if in doubt or if there is evidence of previous water penetration. Wood substrates should have a moisture content no more than 14%.
- **Substrates should be solid, level, true and provide a good key for gluing.** Surfaces should be flat & sound. The variation from a 3 m straight edge should not exceed 3 mm. Level uneven surfaces with a purpose-made levelling compound. Skim sand existing board or sheet floors to provide a clean flat gluing surface.
- **The moisture content of the timber at time of laying is very important.** Typically, timber supplied to AS 2796 should have a moisture content suitable for normal temperature and humidity conditions in most locations. Where conditions vary considerably from normal, such as in air-conditioned buildings, seek specialist advice. Overlay flooring is not recommended for heated slabs or wet areas.
- **Use compatible levelling, sealing and gluing products.** Follow the manufacturer's recommendations exactly. Mixing product from different manufacturers can cause incompatibility problems, and void warranties and guarantees.

INSTALLATION

- **Leave expansion gaps at the perimeter of floors & intermediate gaps in floors over 6m wide.** Ensure there is a min. 10mm gap between the edge of boards & any vertical barrier such as walls or steps. Wide floors need intermediate expansion gaps at least every 6m across the boards. These can be located in door thresholds, in line with elements such as stairs or occur evenly throughout the floor as a series of smaller gaps at a rate of 10mm for each 6m.
- **Use only specialist elastomeric glues.** Follow the manufacturer's recommendations. Apply the glue evenly at the recommended rates. Work with about 4-6 rows of boards at a time. Do not use hard setting glues.
- **Lay boards in straight & parallel lines.** Ensure all end joints are tightly closed & distributed evenly throughout the floor. Maintain min. 450mm between butt joints in adjacent rows. Position boards carefully so glue is not squeezed up between the boards. If laying over an existing strip floor, new boards should be laid at right angles to existing ones.
- **Cramp boards tight.** For sheet floors, cramp and fix each board tight. If using glue, secret nail to timber substrates. For concrete substrates, use glue and cramp about 4-6 boards at a time. Restrain with removable concrete nails & weights to avoid hollow spots where necessary until the glue cures.
- **Use correct number and length of fasteners for nail only applications.** AS 1684 establishes min. fastener dimensions for fixing flooring, set out below*.



Nail sizes for T & G flooring to plywood substrate

Flooring thickness (mm)	Rec. nailing (min. 15mm substrate)
19 or 20	38 x 16 gauge staples or 38 x 2.2mm nails at 300mm spacing
12,19 or 20	32 x 16 gauge staples or 30 x 2.2mm nails at 200mm spacing

*Alternative fasteners can be used for substrate types not listed subject to manufacturers' recommendation.

FINISHING

- **Protect the boards prior to sanding and finishing.** Plasterboard setting compounds can stain timber. Silicone sealants and glues can affect the bond of the finish. Scaffolding, ladders, & dropped tools can dent timber significantly.
- **Prepare the floor thoroughly.** The quality of the finished timber floor depends heavily on the quality of the surface preparation. Ensure that any nails are punched adequately. Fill the nail holes with a filler compatible with the finish to be applied.
- **Employ professional sanding and finishing contractors.** The floor needs to be sanded to a flat & level surface. Deep scratch marks should not be present or accepted. Equally, do not expect a 'furniture quality' finish on site.
- **Select the coating system to suit the project:**
 - **Moisture curing & 2 pack polyurethanes** produce a clear, very hard wearing surface in a matt, satin or high gloss finish. However, they darken with age. If applied to a poorly laid or unstable floor, they can also glue the tongue of one board into the groove of the next, causing problems later.
 - **Water-based polyurethanes** can produce a clear, hard wearing surface in a matt, satin or gloss finish. While more expensive, they produce less fumes during application and curing, and are trafficable earlier. They can also glue boards in an unstable floor together.
 - **Modified oil coatings** are clear varnishes, generally made from a mixture of resin & oil. Easy to apply & penetrating, these give a slightly softer look than polyurethanes but are less hard-wearing & darken with age. With these finishes, a surface polish is recommended to reduce maintenance in high traffic areas.
 - **Oils:** Oils are penetrating finishes that are generally less hard wearing than the modified oils or polyurethanes. They give a soft, natural appearance & require regular maintenance.

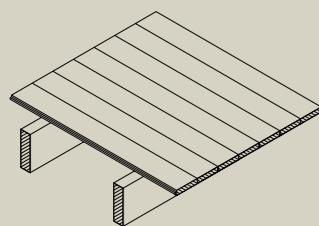
The information given here on finishes and coatings is general advice only. Neville Smith Forest Products is not responsible for the performance or suitability of finishes and coatings used on timber floors.

Installation of 19mm End Matched Flooring on joists

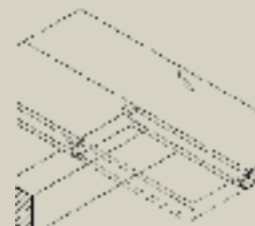
Solid timber strip flooring is ideal for a beautiful and long lasting floor. Correct specification, handling, installation and finishing is essential if the true potential of the timber floor is to be realised.

MOISTURE CONTENT AND BOARD SELECTION

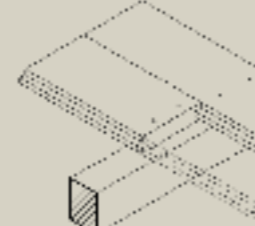
- **Use quality boards of the correct thickness.** Product requirements & grade descriptions for strip flooring are included in AS 2796. 12 - 14mm thick boards need to be continuously supported on a structural substrate, such as concrete slabs, plywood & particle board sheet floors or existing timber floors. If boards are fixed directly to joists, they need to be at least 19 mm thick to span 450mm.
- **Timber is a natural product.** Its size varies with changes in moisture. As timber absorbs moisture to remain in equilibrium with its surrounding atmosphere, it expands. As it loses moisture, it shrinks. Flooring will always move slightly between boards as the ambient conditions of the surrounding environment change. So, to produce a successful timber floor, the timber needs to be installed at the correct moisture content, changes in the ambient conditions controlled & any movement accommodated.
- **Large windows, heaters and other heat sources will influence the floor.** Any heat source will change the ambient conditions & can cause localised movement of timber. This needs to be recognised & accommodated. Lay boards to minimise the impact of gaps from the major direction of view or acclimatise the timber to the expected long term service conditions. In elevated houses, the underside of boards can be sealed or protected.
- **Board width for nail only applications: Only secret nail boards up to 85mm cover width.** Secret nailed flooring is fixed through the tongue of specially profiled boards. As they are only secured with one fastener per joist, their width is limited to 85mm cover. Boards over 85mm cover must be top nailed & secured with two fasteners per joist.



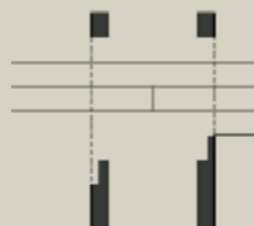
Strip flooring on joists



Secret nail to 85 mm cover only



2 nails a joist over 85mm cover



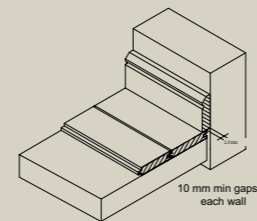
End-match boards

STORAGE AND PREPARATION

- **Protect the timber from moisture during all stages of construction.** Avoid exposing the timber to rain, dew or direct sunlight. Keep it away from the ground or newly laid concrete. Repair damage to pack covers immediately. The flooring should be stored inside where it is to be laid, or in a similar environment.
- **Only install the floor in a fully weatherproofed building.** The roof cladding should be on, the windows & external doors installed, the exterior cladding finished and wet trades complete. The storm water system must be complete or effectively directed away from the sub-floor. Platform construction is never appropriate for feature strip floors
- **Provide under floor ventilation to the requirements of the Building Code of Australia.** The ground under wood substrates should be dry and sub-floor well ventilated. Where conditions are damp & the potential for additional sub-soil drainage limited, install a continuous impervious plastic membrane over the ground. Tape the joints.
- **Floor framing should be solid, level, true and preferably seasoned.** Place a 3m straight edge along & across the joists. Variation should not exceed 3 mm. Plane proud joists & pack low ones.
- **The moisture content of the timber at time of laying is very important.** Typically, timber supplied to AS 2796 should have a moisture content suitable for normal temperature and humidity conditions in most locations. Where conditions vary considerably from normal, such as in air-conditioned buildings, seek specialist advice.

INSTALLATION

- **Leave expansion gaps at the perimeter of floors & intermediate gaps in floors over 6m wide.** Ensure there is a min. 10mm gap between the edge of boards & any vertical barrier such as walls or steps. Wide floors need intermediate expansion gaps at least every 6m across the boards. These can be located in door thresholds, in line with elements such as stairs or occur evenly throughout the floor as a series of smaller gaps at a rate of 10mm for each 6m.
- **Lay boards in straight & parallel lines.** Board should be at least two joist spacings long. Ensure all end joints are tightly closed & distributed evenly throughout the floor. Maintain min. 450 mm between butt joints in adjacent rows. Ensure joints in adjacent rows of end matched boards do not fall in the same joist spacing.
- **Cramp boards tight.** For top nailed boards, cramp no more than 800mm width of flooring at a time, closing any gaps. There should be full contact between the boards & the floor frame or substrate. For secret nailing, cramp each board tight or use specialist fastening guns.
- **Use correct number and length of fasteners.** AS 1684 establishes min. fastener dimensions for fixing flooring, set out below*.



Nail sizes for T & G flooring to joists

Nailing	Softwood joists	Hardwood & cypress joists
Hand driven	65 - 2.8mm bullet head	50 - 2.8mm bullet head
Machine driven	65 - 2.5 mm	50 - 2.5mm

Nail sizes for T & G flooring to plywood substrate

Strip Flooring thickness (mm)	Rec. nailing (min. 15mm substrate)
19 or 20	38 x 16 gauge chisel point staples or 38 x 2.2mm nails at 300mm spacing
12,19 or 20	32 x 16 gauge chisel point staples or 30 x 2.2mm nails at 200mm spacing

FINISHING

- **Protect the boards prior to sanding and finishing.** Plasterboard setting compounds can stain timber. Silicone sealants and glues can affect the bond of the finish. Scaffolding, ladders, & dropped tools can dent timber significantly.
- **Prepare the floor thoroughly.** The quality of the finished timber floor depends heavily on the quality of the surface preparation. Ensure that any nails are punched adequately. Fill the nail holes with a filler compatible with the finish to be applied.
- **Employ professional sanding and finishing contractors.** The floor needs to be sanded to a flat & level surface. Deep scratch marks should not be present or accepted. Equally, do not expect a 'furniture quality' finish on site.
- **Select the coating system to suit the project:**
 - **Moisture curing & 2 pack polyurethanes** produce a clear, very hard wearing surface in a matt, satin or high gloss finish. However, they darken with age. If applied to a poorly laid or unstable floor, they can also glue the tongue of one board into the groove of the next, causing problems later.
 - **Water-based polyurethanes** can produce a clear, hard wearing surface in a matt, satin or gloss finish. While more expensive, they produce less fumes during application and curing, and are trafficable earlier. They can also glue boards in an unstable floor together.
 - **Modified oil coatings** are clear varnishes, generally made from a mixture of resin & oil. Easy to apply & penetrating, these give a slightly softer look than polyurethanes but are less hard-wearing & darken with age. With these finishes, a surface polish is recommended to reduce maintenance in high traffic areas.
 - **Oils:** Oils are penetrating finishes that are generally less hard wearing than the modified oils or polyurethanes. They give a soft, natural appearance & require regular maintenance.

The information given here on finishes and coatings is general advice only. Neville Smith Forest Products is not responsible for the performance or suitability of finishes and coatings used on timber floors.

Available through the following sites:

New South Wales

109 Kurrajong Avenue
Mt. Druitt, NSW 2770
nswsales@tilling.com.au
Phone 02 9677 2600

South Australia

5-9 Woomera Ave
Edinburgh, SA 5111
sasales@tilling.com.au
Phone 08 8345 1966

Western Australia

10 Cartwright Drive
Forrestdale, WA 6112
wasales@tilling.com.au
Phone 08 9399 1609

Queensland

84 Magnesium Drive,
Crestmead, QLD 4132
qldsales@tilling.com.au
Phone 07 3440 5400

Sales Freecall 1800 33 77 03

www.tilling.com.au

“Abelwood Hardwood Flooring and dressed boards are part of the Tilling Group’s Architectural Range, comprising cladding, lining, weatherboards, dressed boards, shingles, shakes and some specialist mouldings. Abelwood Tasmanian Oak flooring and dressed boards complement the premium Western Red Cedar and Finnish Whitewood products that Tilling manufactures, right here in Australia.”



All Tilling Group branches can supply timber with 100% PEFC Chain of Custody.